

SQUEEZERS

Yokota Squeezer, with press mechanism, caulks by one shot so that easy processing without impact and vibration is provided.

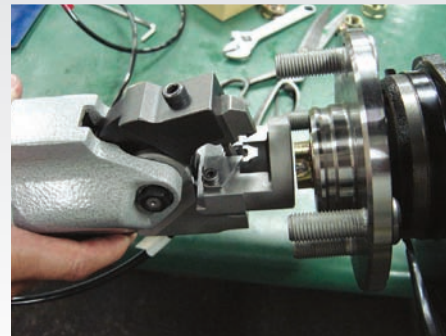


YSA-4T-X1 (Standard Model)

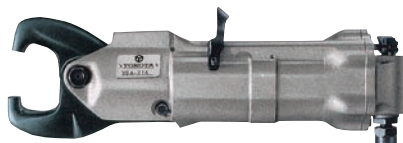
● Yoke front for hub nut caulking.



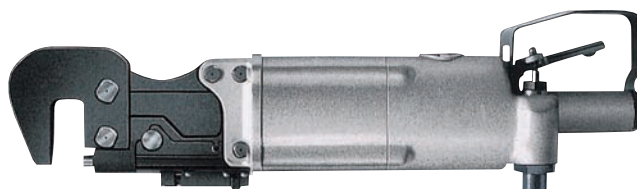
● Caulking work



● Rivet Squeezer



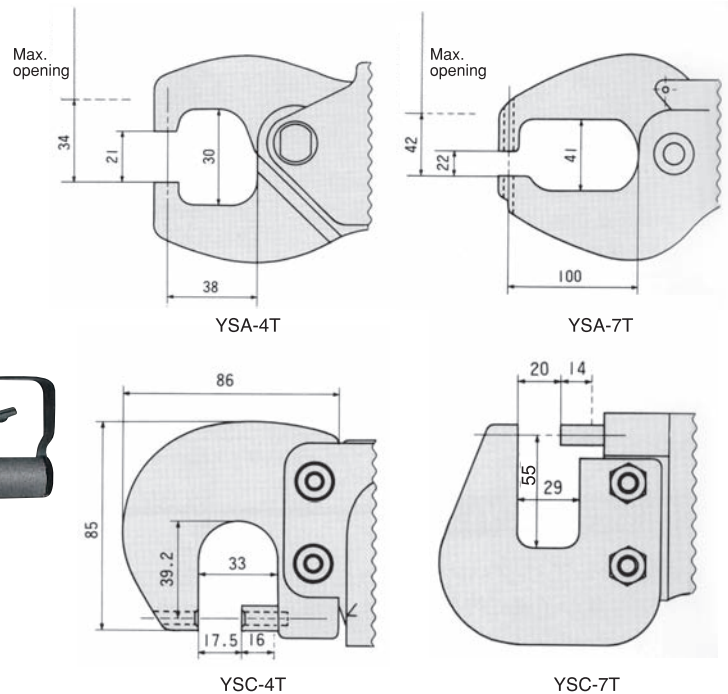
YSA-4T



YSC-7T

● Yoke shape

UNIT (mm)



Model	Caulking Pressure kg(KN)	Overall Length (about) mm(in)	Net Weight kg(lb)	Air Inlet Thread (Pipe Thread) Ft	Air Hose Size mm(in)	Air Pressure MPa(lb/in ²)
※YSA-4T	1900 (18.6)	305 (12.0)	2.5 (5.5)	1/4	9.5 (3/8)	0.6 (85)
※YSA-7T	3700 (36.3)	634 (25.0)	9.8 (21.6)	1/4	9.5 (3/8)	0.6 (85)
※YSC-4T	2700 (26.5)	359 (14.1)	2.4 (5.3)	1/4	9.5 (3/8)	0.6 (85)
※YSC-7T	5500 (53.9)	563 (22.2)	7.8 (17.2)	1/4	9.5 (3/8)	0.6 (85)

■ All models have a hose nipple.
Models marked with ※ are production-by-order items. Delivery time to be confirmed for each order.
Yoke is to be designed according to request.