

CUTTER

■ Air cutter is optimum for partial cutting of automobile body panels, aluminum window frames, and other materials.



YAC-50

Safety throttle integrated

Model	Cutter Size mm(in)	Free Speed (Approx.) r.p.m.	Max. Air Consumption (Approx.) ℓ/min(ft ³ /min)	Overall Length (about) mm(in)	Net Weight kg(lb)	Max. Depth of Cut (about) mm(in)	Air Inlet Thread (Pipe Thread) Rc	Air Hose Size mm(in)	Air Pressure MPa(lb/in ²)
YAC-50	54X10X0.8(2 1/8X3/8X1/32)	1700	300 (10.6)	275 (10.8)	1.3 (2.9)	7 (0.3)	1/4	9.5 (3/8)	0.6 (85)

■ Standard accessories: 1 hose nipple, 2 hexagon wrenches, 2 cutters.

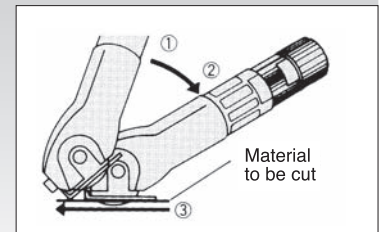
DIAMOND CUTER

■ The diamond wheel has long life without loading and break.
※ Do not use diamond wheel other than specified.



YAC-50D

Safety throttle integrated



To cut at intermediate of plate.

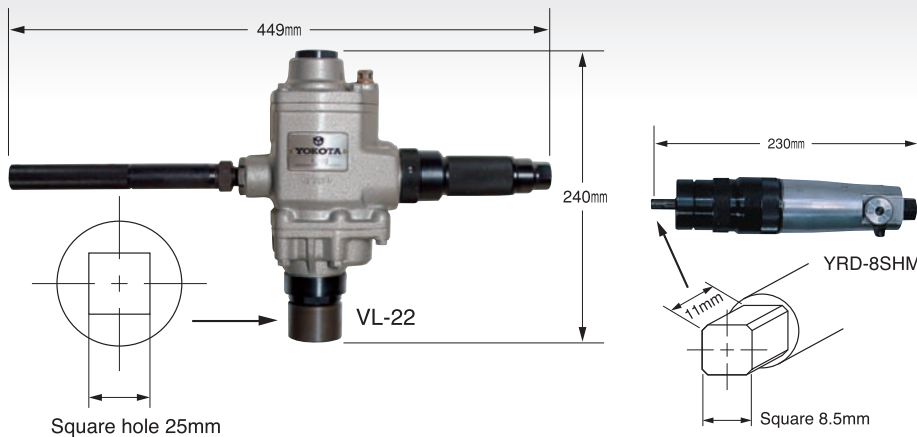
- ① Press tool end firmly on material surface.
- ② Gradually press down other grip end.
- ③ After completely pressing down to cut, slide the cutter in cutting direction.

Model	Cutter Size mm(in)	Free Speed (Approx.) r.p.m.	Max. Air Consumption (Approx.) ℓ/min(ft ³ /min)	Overall Length (about) mm(in)	Net Weight kg(lb)	Max. Depth of Cut (about) mm(in)	Air Inlet Thread (Pipe Thread) Rc	Air Hose Size mm(in)	Air Pressure MPa(lb/in ²)
YAC-50D	54X10X1.2(2 1/8X3/8X3/64)	13000	300 (10.6)	275 (10.8)	1.3 (2.9)	7 (0.3)	1/4	9.5 (3/8)	0.6 (85)

■ Standard accessories: 1 hose nipple, 2 hexagon wrenches, 1 diamond wheel.

VALVE LAPPERS

■ Valve Lappers are used to repair valve for lapping, suitable for petroleum, chemical, atomic, water service pipings. It also functions as an air motor.



Model	Free Speed (Approx.) r.p.m.	No Load Air Consumption (Approx.) ℓ/min(ft ³ /min)	Overall Length (about) mm(in)	Height (about) mm(in)	Net Weight kg(lb)	Air Inlet Thread (Pipe Thread) Rc	Air Hose Size mm(in)	Air Pressure MPa(lb/in ²)
※ YRD-8SHM	500	600 (21.2)	230 (9.1)	-	1.6 (3.5)	1/4	9.5 (3/8)	0.6 (85)
※ VL-22	300	1000 (35.3)	449 (17.7)	240 (9.4)	5.1 (11.2)	3/8	12.7 (1/2)	0.6 (85)

■ All models have a hose nipple. Valve lappers are to be produced subject to order. Ask for delivery time.