



## TSSF Static Torque Transducer

Flange to square static torque reaction transducer.

The TSSF style of static torque transducer has been produced for a number of years for a variety of industries and applications, but is particularly prevalent within the marine and offshore industry.

There are a number of existing sizes in the range but different combinations of square and flange are available at very little extra cost.

A range of compatible readouts and amplifiers can also be provided for the TSSF torque transducers and it can also be supplied with gauge coatings that are suitable for specific sub-sea installations.

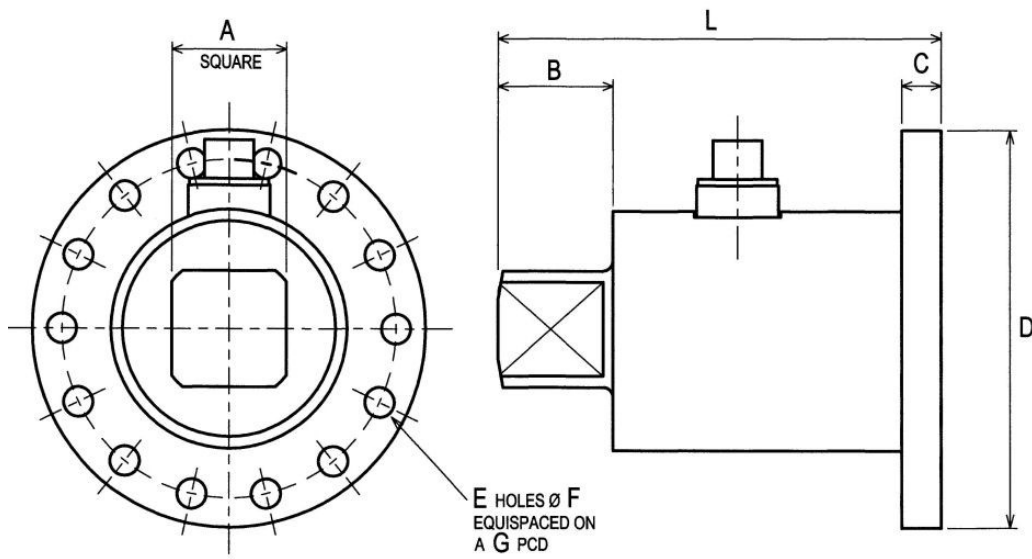
The TSSF is available in a variety of sizes ranging from 150Nm up to 7000Nm.

For pricing, availability or further technical information about the TSSF series of static torque transducers, contact us via our website at [www.crane-electronics.com](http://www.crane-electronics.com) or get in touch via email at [sales@crane-electronics.com](mailto:sales@crane-electronics.com).

### Technical Specification

<b>Nominal Sensitivity:</b>	1.5mV/V
<b>Non-linearity:</b>	±0.2% fs
<b>Compensated Range:</b>	20 to +60°C
<b>Operating Temp:</b>	0 to +80°C
<b>Overload Capacity:</b>	150% fs
<b>Repeatability:</b>	±0.1% fs
<b>Storage Temp:</b>	-30 to +90°C
<b>Accuracy:</b>	±1.0% fs
<b>Hysteresis:</b>	±0.2% fs
<b>Zero Shift:</b>	< ±0.01%/C°
<b>Bridge Supply:</b>	10V
<b>Span Shift:</b>	< ±0.02%/C°
<b>Bridge Resistance:</b>	700 ohms

## Dimensions



Model No.	Size	A	B	C	D	E	ØF	G	L
TSSF-300/0.75"	150/300Nm	19.05	20	6	68	8	6.5	55	75
TSSF-300/1"	300Nm	25.4	46	12	120	14	9	102	146
TSSF-3k/35mm	1/2/3 kNm	35	35	12	120	14	9	102	135
TSSF-3k/1.5"	3.0kNm	38	38	12	120	14	9	102	146
TSSF-7k/2"	7.0kNm	50.8	63.5	20	160	10	10.2	125	224



### Locations

UK - Watling Drive, Hinckley, Leicestershire LE10 3EY, UK  
 USA - 1260 11th Street West, Milan, Illinois 61264, USA  
 Germany - Im Rank 5, 73655 Plüderhausen, Germany

