

Offset Mount EH2-PAFM1 (option)

A dedicated option to eliminate dead space in narrow installation environments and improve workability.

Rotary Grip EH2-RG (option)

Using a start switch with a 360° rotation mechanism, fastening can be performed comfortably without stressing the wrist.

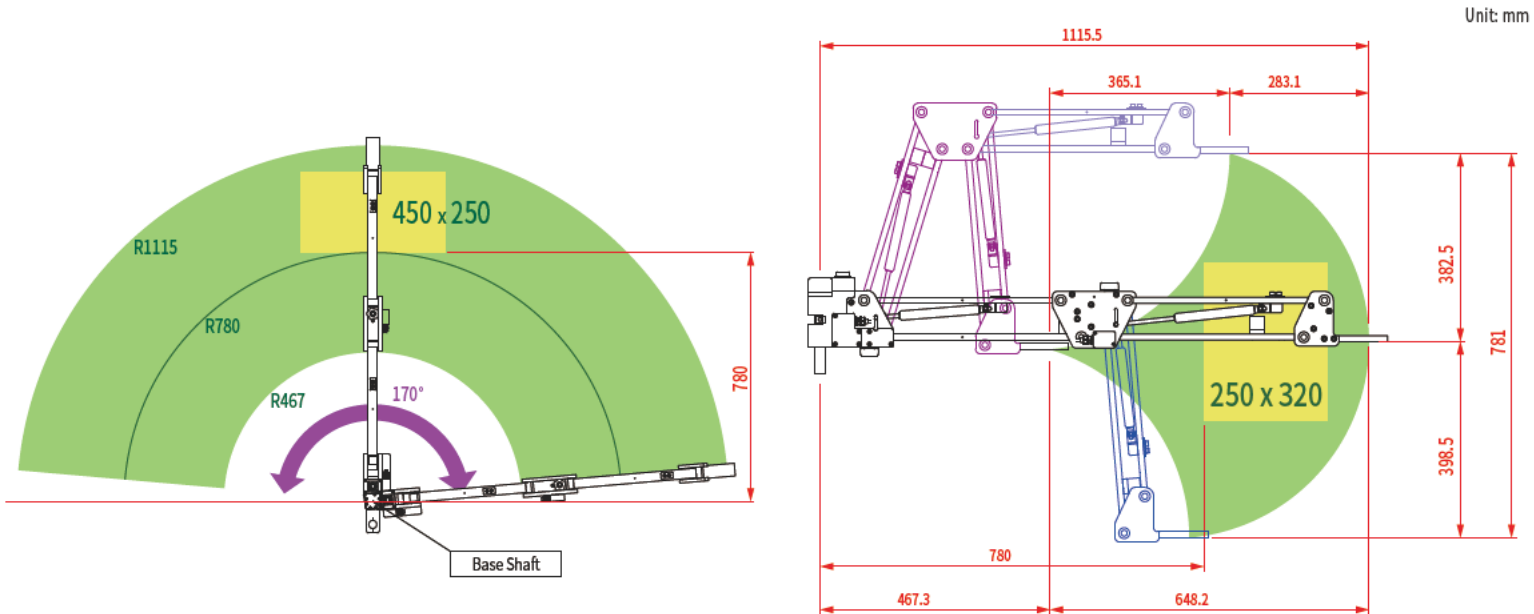


✓ The stress of the reaction force during fastening and the weight of the tool on the operator is eliminated and a space saving "vertical tracer arm" tracer arm equipped with a tool position detection sensor is born. In addition to the conventional (low torque/high torque tracer arm), this is a lineup can be selected according to the installation environment.

✓ The assembly process regulates the fastening sequence and fastening site, eliminates human error and provides traceability by associating fastening torque and coordinates.

✓ Position control is insured by a compact, lightweight dedicated controller, making a control panel such as a PLC unnecessary.

Working Range



Vertical Tracer Arm System Configuration

Arm Model	EH2-PA0404-AT1	EH2-PA0404-AT1G	EH2-PA0404-AT2	EH2-PA0404-AT2G	EH2-PA0404-AT3	EH2-PA0404-AT3G	EH2-PA0404-AT4	EH2-PA0404-AT4G
Torque Range (N·m)	1~5 2~10		3.2~16 4~20		7~35		11~55	
Handy2000 Series Controller *11	Handy2000Lite (Ver. HA1590~), Handy2000Touch (Ver. GA1050~)							
Compatible Tool Model *1	EH2-R0005-SL/SP EH2-R0010-SL/SP	EH2-R0005-SC EH2-R0010-SC	EH2-R1016-S EH2-R1020-S		EH2-R2035-S		EH2-R2055-S	
Tool Cable *1	EH2-CVS**-SS							
Rotary Grip	—	EH2-RG01	—	EH2-RG02	—	EH2-RG03	—	EH2-RG04
Rotary Grip Cable (tool side) *2	—	EH2-CVG1-001	—	EH2-CVG2-050	—	EH2-CVG2-050	—	EH2-CVG2-050
Rotary Grip Cable (controller side) *2	—		—	EH2-CVG3-003	—	EH2-CVG3-003	—	EH2-CVG3-003
RRELAY / EXT IN Connector (Rotary Grip connector) * 2	—		—	EH2-FCN13-RL	—	EH2-FCN13-RL	—	EH2-FCN13-RL
Resolver Cable *3	EH2-CVR3-010 (1m), EH2-CVR3-050 (5m)							
NET Cable *3	EH2-CVNK-005 (0.5m), EH2-CVNK-010 (1m), EH2-CVNK-030 (3m)							
Termination Resistor *3	EH2-CNST (2 pieces required)							
Trace Control Unit	EH2-TCU-* (Ver.GA1040~)							
TCU Power Cable	EH2-CVDC-030 (3m) *Included with the Trace Control Unit							
TCU Mounting Bracket *4	EH2-TCU-BRKT (for mounting on arm body mounting bracket) EH2-TCU-BRKT2 (for mounting on Handy 2000 Lite or Handy 2000 Touch)							
Arm Body Mounting Bracket *4	EH2-PAFM1 (floor/ceiling: horizontal mounting), EH2-SAFM500 (floor/ceiling: horizontal mounting), EH2-SAWM200 (wall: vertical mounting)							
External Mechanical Stopper *4	EH2-PA-MST (for limiting the arm turning motion)							

*1 Optional. Please refer the Handy2000 Lite and Handy2000 Touch catalog for details.

*2 Standard accessories when the rotary grip is selected.

*3 Optional. System configuration essentials

*4 Optional. Please select as necessary.

Trace Control Unit (TCU) specification

Model	EH2-TCU-N	EH2-TCU-E
Operating Power Supply	DC24V±10% * Supplied from Handy 2000 controller "	
Number of Registered Programs	99 Programs	
Number of Registered Positions	63 positions per program	
Display / operation	Indication lamp 3 points · push button 3 points	
Control Input / Output	PIO (IN / OUT) 6 points each (PNP / NPN compatible)	PIO (IN / OUT) 6 points each (PNP / NPN compatible) Extended PIO (IN / OUT) 24 points (PNP / NPN compatible)
Weight	0.9 kg	

For details on product dimensions, please download the CAD data. <https://www.estic2.com/caddata/>

Head Office 2-5-9 Hashibahigashino-cho, Moriguchi City, Osaka, 570-0031 Japan
Osaka Sales Office
International Department Phone: +81-6-6993-8855 Fax: +81-6-6993-8881
E-mail: int_dep@estic.co.jp / osaka_office@estic.co.jp
Tokyo Sales Office 2F Shinyokohama Bousei Bldg., 3-20-12 Shin-Yokohama, Kouhoku-ku, Yokohama-shi, Kanagawa Pref. 222-0033, Japan
Phone: +81-45-474-3036 Fax: +81-45-474-3037
E-mail: tokyo_office@estic.co.jp
Chubu Sales Office Yamahichi Higashiokazaki Bldg. 2F, 19-13, Kawabata, Myodaiji-cho, Okazaki-city, Aichi, 444-0864 Japan
Phone: +81-564-66-0510 Fax: +81-564-66-0515
E-mail: chubu_office@estic.co.jp

Togo Office 1-2-16, Togodori, Moriguchi-shi, Osaka, 570-0041, Japan
Phone: +81-6-6993-8077 Fax: +81-6-6993-8887

SUBSIDIARIES

SHANGHAI ESTIC CO., LTD. No. 6, 51 Gate, 1159 Lane, Kangqiao East Road, Pudong, Shanghai, 201315 China
Phone: +86-21-6813-0333 Fax: +86-21-6813-0777
E-mail: ecc@estic.cn

ESTIC (THAILAND) CO., LTD. 19 Naradhiwas Rajanakarin Road, Chong Nonsi, Yannawa, Bangkok, 10120, Thailand
Phone: +66-2-678-0171 Fax: +66-2-678-0173
E-mail: sales@estic.co.th

ESTIC AMERICA, INC. 1895 Airport Exchange Blvd, Suite 220, Erlanger, Kentucky 41018 U.S.A.
Phone: +1-859-746-8800 Fax: +1-859-746-8777
E-mail: support@estic-america.com



ESTIC CORPORATION

www.estic.co.jp

●The colors of the products may slightly differ from those of the actual products, which is inevitable in printing.
●The specifications and designs of the products may be changed without prior notice.